

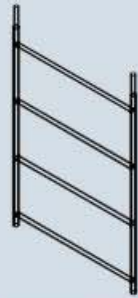
## Wide Type



**A212**  
Guardrail frame



**A213**  
4 rung frame  
(ladderframe)

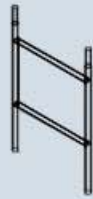


**A214**  
4 rung frame  
(go-throughframe)



**A217**  
7 rung frame  
(Ladderframe)

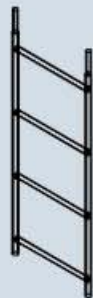
## Narrow Type



**A202**  
Guardrail frame



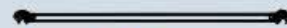
**A203**  
4 rung frame  
(ladderframe)



**A204**  
4 rung frame  
(go throughframe)



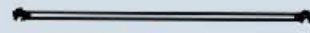
**A207**  
7 rung frame  
(ladderframe)



**A404**



**A414**



**A405**



**A415**

Horizontal Belt

Crosswise Belt



**A701**  
Toe board narrow 1.8 m



**A721**  
Toe board wide 1.8 m



**A711**  
Toe board narrow 1.8 m



**A731**  
Toe board wide 2.5 m



**A602**  
Platform 1.8 m



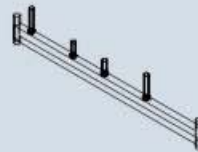
**A612**  
Platform 2.5 m



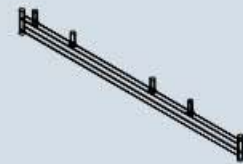
**A603**  
Trapdoor platform 1.8 m



**A613**  
Trapdoor platform 2.5 m



**C505**  
Steel chassis narrow



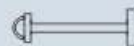
**C515**  
Steel chassis wide



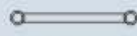
**C801**  
Castor



**C902**  
Adjustable leg



**C555**  
Steel chassis addition



**A555**  
Diagonal brace of steel chassis addition



# HI TOWER

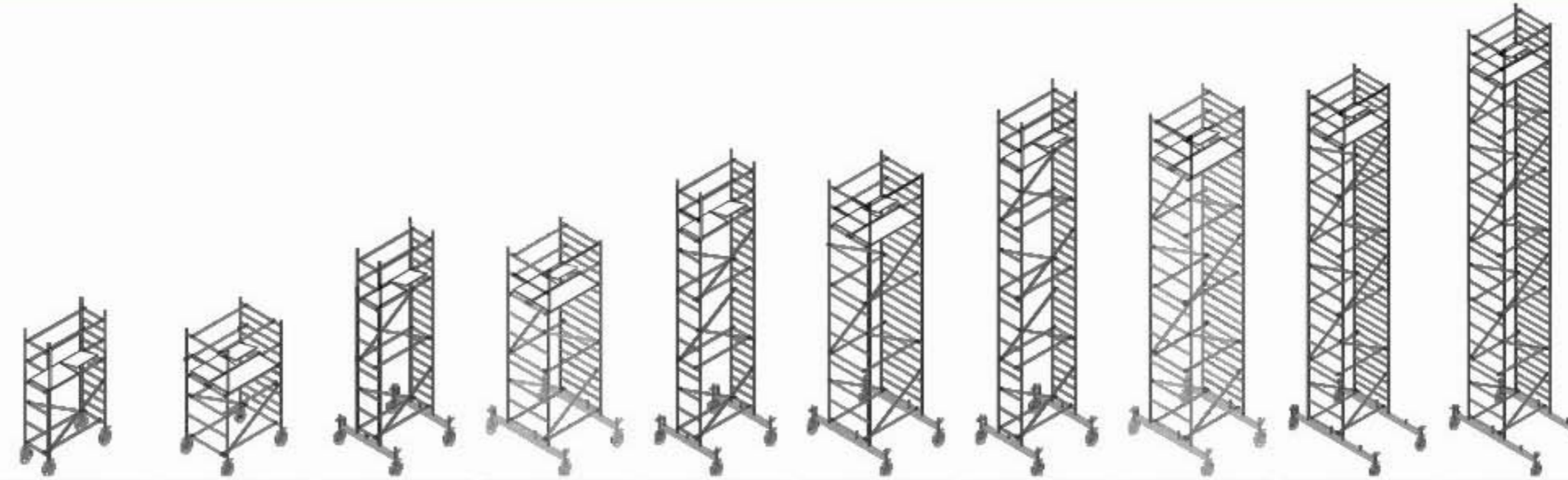
Light Alloy Tower System  
[www.hitower.info](http://www.hitower.info)

- ASSEMBLE QUICK AND EASY WITHOUT ANY TOOLS
- RUST FREE
- LIGHTWEIGHT EASY TO CARRY
- ASSEMBLE ON ALL SURFACES
- WORKING SAFE WITH GUARDRAILS
- INTERCHANGEABLE FRAMES
- TRAPDOOR PLATFORMS
- CLIMBING INSIDE OF THE TOWER
- HEAVY-DUTY BASE FRAME AND ADJUSTABLE LEGS
- CASTORS WITH POSITIVE LOCKING FACILITY
- RIGID AND STRONG WELDED FRAMES
- NARROW (0.7 M) AND WIDE (1.4 M) TYPES
- LENGTH 1.8 M AND 2.5 M CHOICES
- COMPLIANT WITH HD 1004
- 5-YEAR WARRANTY



- **Hi Tower** is an easy to use, easy to assemble, lightweight, rigid, strong tower system made of light alloy heavy-duty aluminum.
- Can be assembled on all surfaces within unbelievable periods, stands by itself, towable on its castors; **Hi Tower** will help you doing installations SAFE, QUICK and EASY.
- Up to 12 m platform height with widths of 0.7 m (N) or 1.4 m (W) and lengths of 1.8 m or 2.5 m are available.
- All parts and frames of **Hi Tower** are interchangeable so parts purchased at different times will be compatible with each other.
- **Hi Tower** can be assembled easily and quickly without using any tools.
- **All Hi Tower** parts are manufactured according to HD 1004 standards

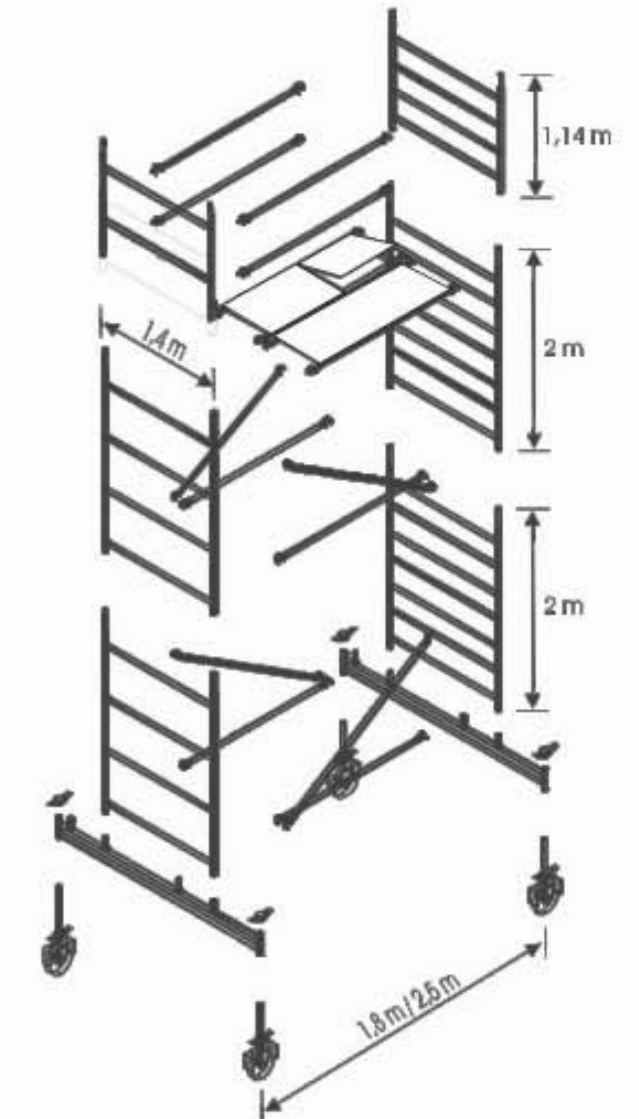
- **Hi Tower** has 7 rung frames on one side and trapdoor platforms so you can climb to the tower from inside safely, besides you could use telescopic alloy ladders to climb to the platform from inside with using one hand to climb and other hand for carrying materials.
- Castors are specially designed for scaffolds. They are eccentric while moving but in working position they are locked to prevent movement of the tower. Loading capacity of each castor is 600 kg.
- Adjustable legs could level towers on uneven surfaces.
- **Hi Tower** has 5 years warranty.



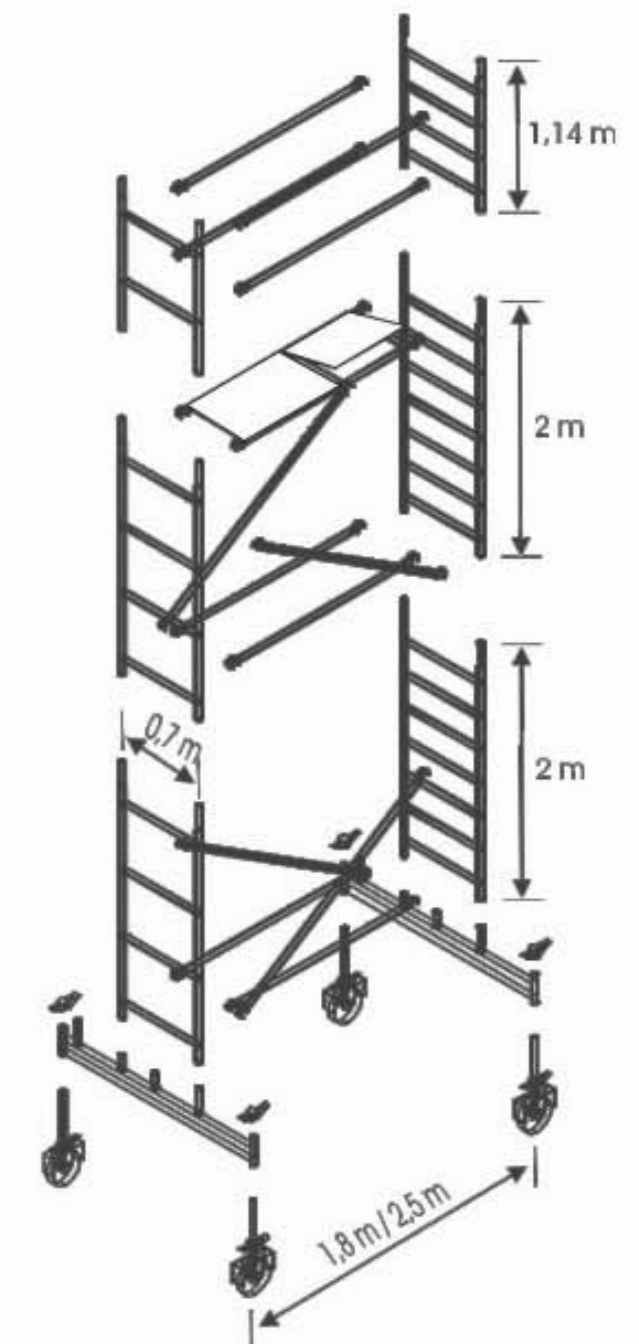
			4,3 m		4,3 m		6,3 m		6,3 m		8,3 m		8,3 m		10,3 m		10,3 m		12,3 m		14,3 m	
			2,3 m		2,3 m		4,3 m		4,3 m		6,3 m		6,3 m		8,3 m		8,3 m		10,3 m		12,3 m	
Type			N2S	N2L	W2S	W2L	N4S	N4L	W4S	W4L	N6S	N6L	W6S	W6L	N8S	N8L	W8S	W8L	W10L	W12L		
			Narrow short	Narrow long	Wide short	Wide long	Narrow short	Narrow long	Wide short	Wide long	Narrow short	Narrow long	Wide short	Wide long	Narrow short	Narrow long	Wide short	Wide long	Wide long	Wide long		
Part No	Part Name	Weight kg	Piece	Piece	Piece	Piece	Piece	Piece	Piece	Piece	Piece	Piece	Piece	Piece	Piece	Piece	Piece	Piece	Piece	Piece	Piece	Piece
A207	7 rung frame narrow (ladderframe)	8,7	1	1			2	2			3	3			4	4						
A217	7 rung frame wide (Ladderframe)	12,2			1	1			2	2			3	3			4	4	5	6		
A204	4 rung frame narrow (go throughframe)	6,7	1	1			2	2			3	3			4	4						
A214	4 rung frame wide (go-throughframe)	8,6			1	1			2	2			3	3			4	4	5	6		
A203	4 rung frame narrow (ladderframe)	5,2	1	1			1	1			1	1			1	1						
A213	4 rung frame wide (ladderframe)	7,2			1	1			1	1			1	1			1	1	1	1		
A202	Guardrail frame narrow	4	1	1			1	1			1	1			1	1						
A212	Guardrail frame wide	5			1	1			1	1			1	1			1	1	1	1		
A404	Horizontal brace 1.8 m	2,2	6		6		8		8		10		10		12		12		14	16		
A414	Horizontal brace 2.5 m	2,8		6		6		8		8		10		10		12		12	14	16		
A405	Diagonal brace 1.8 m	2,9	2		2		4		4		6		6		8		8					
A415	Diagonal brace 2.5 m	3,4		2		2		4		4		6		6		8		8	10	12		
A602	Platform 1.8 m	15			1				1				1				1		1	1		
A612	Platform 2.5 m	20				1			1				1				1		1	1		
A603	Trapdoor platform 1.8 m	15,5	1		1		1		1		1		1		1		1		1	1		
A613	Trapdoor platform 2.5 m	20,5		1		1		1		1		1		1		1		1	1	1		
C505	Steel chassis narrow	21					2	2			2	2			2	2						
C515	Steel chassis wide	26							2	2			2	2			2	2	2	2		
C801	Castor	3,6	4	4	4	4	4	4	4	4	4	4	4	4	4	4	4	4	6	6		
C902	Adjustable leg	5	4	4	4	4	4	4	4	4	4	4	4	4	4	4	4	4	6	6		
C555	Steel chassis addition	20																	2	2		
A555	Diagonal brace of steel chassis addition	4																	2	2		

Optional parts

A701	Toe board narrow 1.8 m	5,8	1				1				1				1							
A711	Toe board narrow 1.8 m	7,6		1				1				1				1						
A721	Toe board wide 1.8 m	7,5			1			1				1				1						
A731	Toe board wide 2.5 m	9				1			1				1				1		1	1		
A301	Telescopic ladder	20						1	1				1	1			2	2	2	2		
A602	Platform 1.8 m	15			1			2					2				2					
A612	Platform 2.5 m	20				1			2				2				2		3	3		
<b>Total weight (kg)</b>			<b>93,5</b>	<b>103,1</b>	<b>116,9</b>	<b>131,5</b>	<b>161</b>	<b>172,9</b>	<b>199,9</b>	<b>216,7</b>	<b>186,7</b>	<b>201</b>	<b>230,9</b>	<b>249,9</b>	<b>212,3</b>	<b>228,5</b>	<b>261,9</b>	<b>283,1</b>	<b>381,5</b>	<b>414,7</b>		



Wide Type



Narrow Type